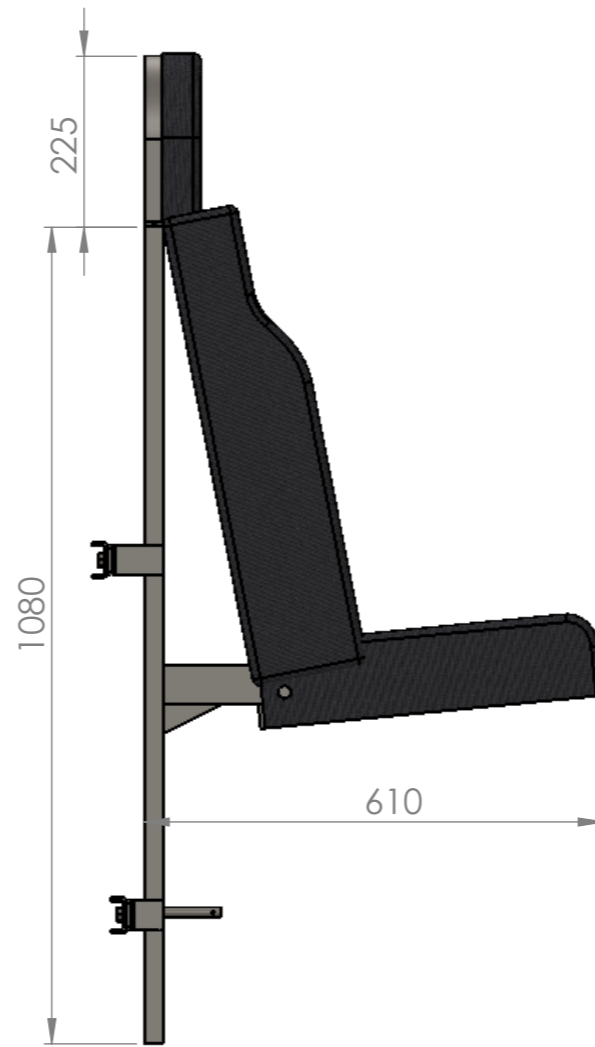


SCALE 1 : 10



SCALE 1 : 10



SCALE 1 : 10

UNLESS OTHERWISE SPECIFIED: DIMENSIONS ARE IN MILLIMETERS SURFACE FINISH: TOLERANCES: LINEAR: ANGULAR:				FINISH:		DEBUR AND BREAK SHARP EDGES		DO NOT SCALE DRAWING		REVISION	
DRAWN				NAME		SIGNATURE		DATE		TITLE:	
CHK'D										Iveco Flip Up Seat Complete with foam	
APPV'D											
MFG											
Q.A								MATERIAL:		DWG NO.	
										IFUS101-00	
								WEIGHT: 18 KG		SCALE:1:20	
										SHEET 1 OF 1	
										A3	